

Instructions

- 1.** Remove contents from box.

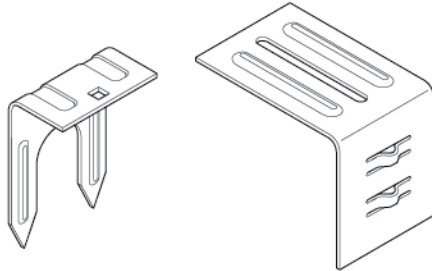
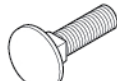


Plate "A"

Plate "B"



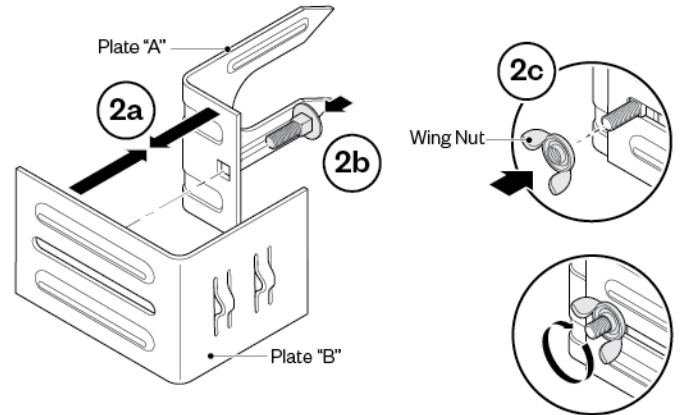
Wing Nut
Qty. 6



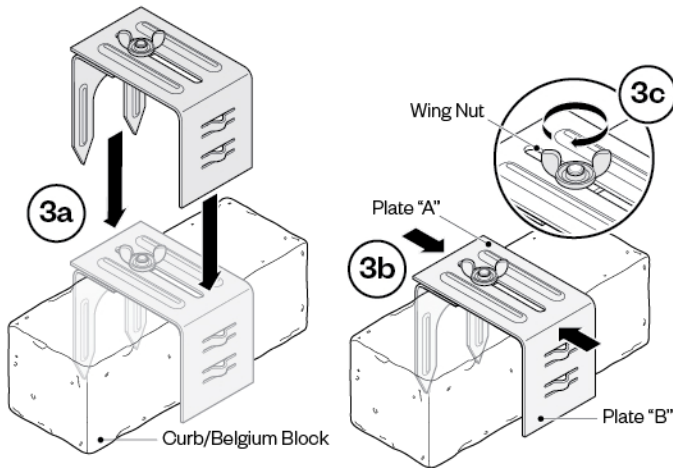
Bolt
Qty. 6

Note: Remove contents from box. Parts bag contains 6 bolts and 6 wing nuts.

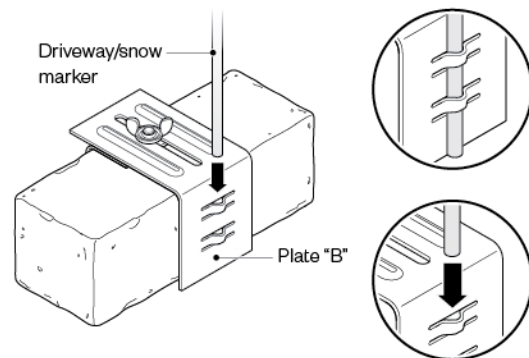
- 2.** Align Plate A to Plate B (2a) and install bolt through square hole in plate "A" (2b). Loosely fasten both plates with Wing Nut (2c).



- 3.** Place Curb Defender over the desired curb/Belgium block section (3a) and push both Plates "A" & "B" together to make snug on Curb/Belgium block (3b). Tighten Wing Nut C hand tight (3c). Don't over-tighten.



- 4.** Install a standard driveway/snow marker in front of Plate "B".



DISCLAIMER

Fits most standard concrete, Belgium block, and wood ties curbs. Up to 7" wide. Will work with most snow removal stakes on the market. Does not work with all snow removal pushers.

Curb Defender Inc
95 West Main Street
Suite 5, Mailbox #289
Chester, NJ 07930